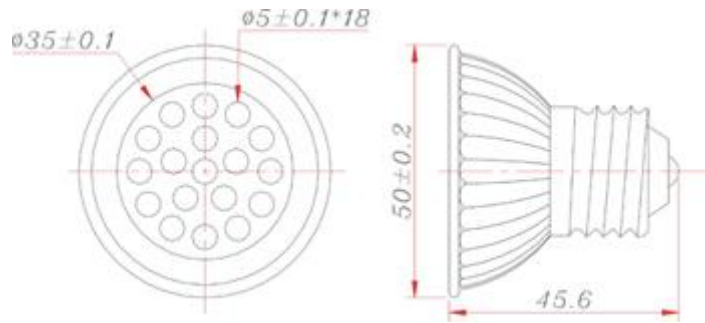




JDR LED Cluster Specification

Model:	MK-S-GU10-W18-230V
	MK-S-GU10-R18-230V
	MK-S-GU10-G18-230V
	MK-S-GU10-B18-230V
Dimension:	f50*45MM
Led Number:	18pcs
Protective levels:	
Power	1W
N.W./G.W.	43g/58g



Features:

1. With beautiful and bright LED Cluster Lamp and many colors such as Red, Blue, Green, and White for option, meanwhile the quantity and intensity for LED will meet your demand according to your option. (50PCS/70pcs)
2. With 20% lower loss electricity than incandescence and long-term life, LED Cluster lamp can be used for 10 years if lighten 5 hours each day. And with many options such as AC220V/AV110V/DC24V and convenient usage, E27 can directly work with the Lamp component together.
3. LED Cluster Lamp could be used in the window-shopping for decoration, and part of restaurant, showroom, and wall for lighting and advertisement sign for main decoration
4. With Luxeon high power LED, high brightness, no radiation high temperature as traditional illuminants while using as large square ceiling lighting.
5. With high pressure die-cast aluminum shell, high machinery intensity, strong ability of withstanding cauterization.
6. With special design for cooling structure, small heating residence, to ensure LED working normally.
7. With special design for lens, strong light focusing