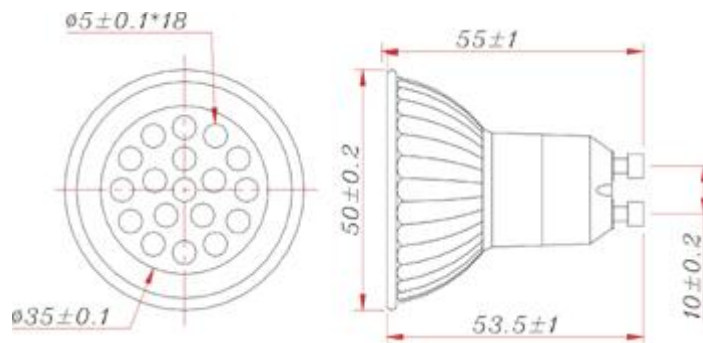




GU10 LED Cluster Specification

Model:	MK-S-GU10-W18-230V
	MK-S-GU10-R18-230V
	MK-S-GU10-G18-230V
	MK-S-GU10-B18-230V
Dimension:	f50*55
Led Number:	18pcs
Protective levels:	
Power	1W
N.W./G.W.	45g/59g

Drawing:



Features:

- 1 The LED Cluster with beautiful and bright LED Cluster Lamp and many colors such as Red, Blue, Green, and White for option, meanwhile the quantity and intensity for LED will meet your demand according to your option.
2. With 20% lower loss electricity than incandescence and long-term life, LED Cluster lamps can be used for 10 years if lighten 5 hours each day. And with many options such as AC220V/AV110V/DC24V and convenient usage, the lamps can directly work with the Lamp component together.
3. The LED Cluster with the high quality LED lamp cup, LED Cluster Lamp has the good character of reflection, corrosion prevention, dust prevention and leakage prevention
4. The LED Cluster Lamp with cold light source has not Radiation High Temperature as the Tradition Light Source made when set in the big area of ceiling lamp for decoration and lighting.

Applicable Area:

LED Cluster Lamp could be used in the window-shopping for decoration, and part of restaurant, showroom, and wall for lighting and advertisement sign for main decoration.