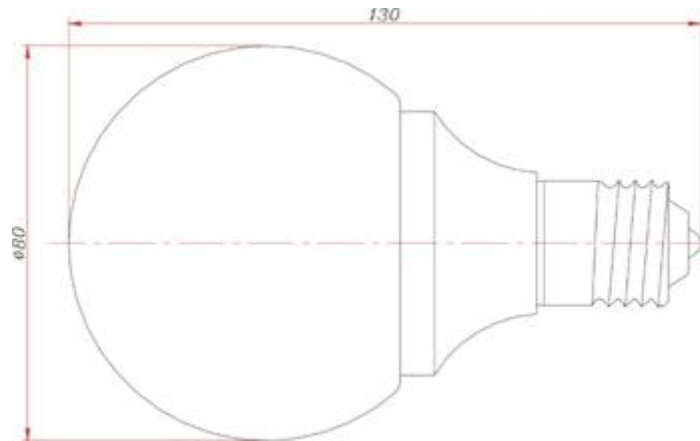




80 LED Bulb Lamp Specification

Model:	TMT-B-80-W36-220
	TMT-B-80-R36-220
	TMT-B-80-G36-220
	TMT-B-80-B36-220
Dimension:	φ80*130MM
Led Number:	36
Protective levels:	
Power	2.5W
N.W./G.W.	60g/98g

LED bulb lamp structure:



LED bulb lamp features:

1. LED bulb lamp has various colors choice, red, green, blue, white, colors changing, etc.
2. Energy saving, consuming energy of LED bulb lamp is only 20% of incandescent lamp. Long life, LED bulb lamp working life can reach to 10 years when daily working time is 5 hours. Various voltages, AC220/AC110/DC24/DC12. LED bulb lamp can be used easily, E27 base supports of connecting with light accessories directly.
3. LED is a kind of cold illuminant. There is no high radiate temperature as traditional illuminants while LED bulb lamp is used as large area decorating lighting.
4. 36 LEDs, power is 2.5W.

Applications:

LED bulb lamp can be used for advertising board background lighting, tunnel or bridge lighting, building structure decoration lighting, bar, house, entertainment place lighting, and so on.